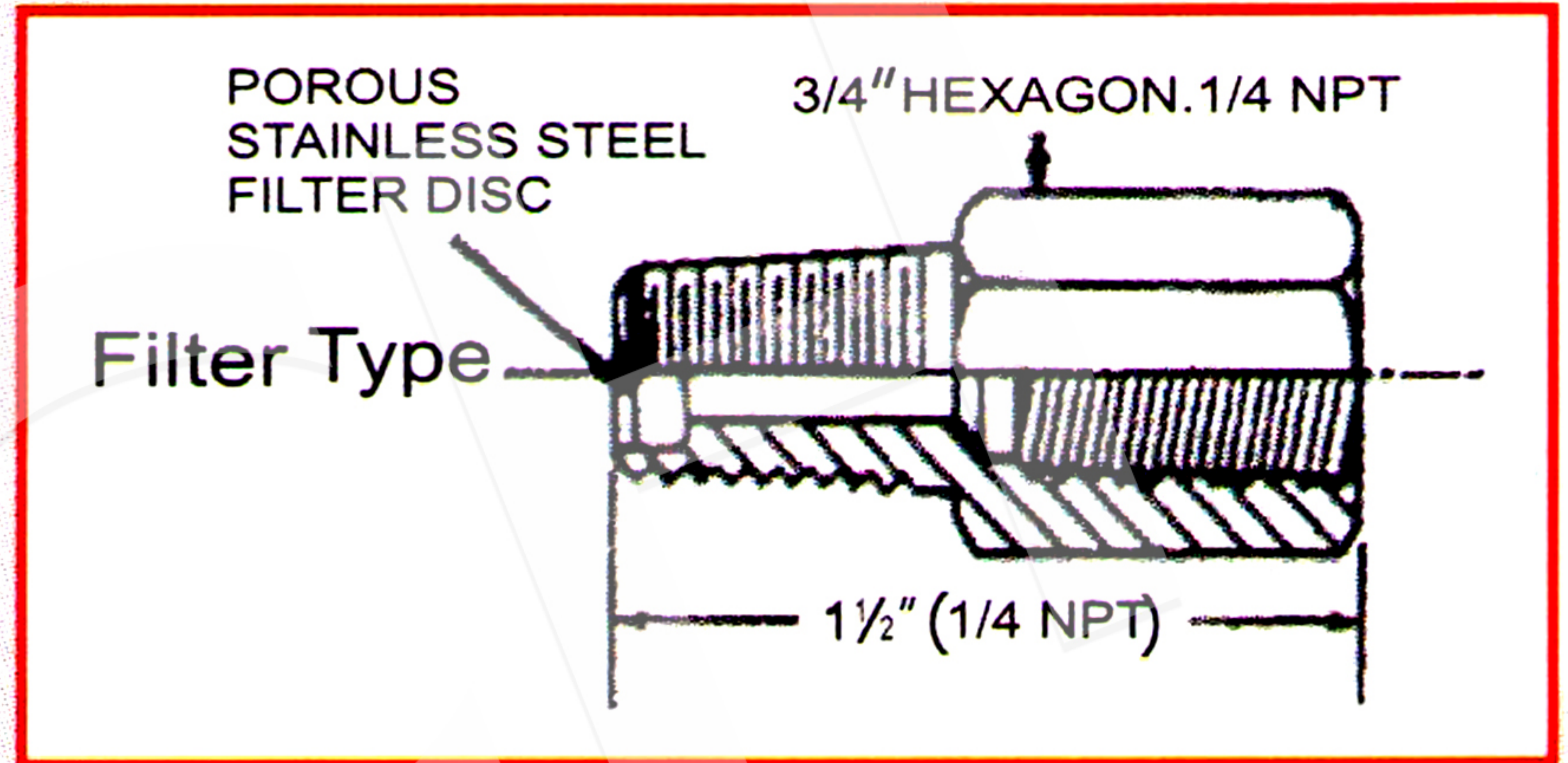


# WEKSLER® Gauge Accessories



## SNUBBERS (FILTER TYPE)

Filter Type: Snubbing element consists of a  $\frac{3}{8}$ " diameter x  $\frac{1}{8}$ " diameter x  $\frac{1}{8}$ " thick Micro Metallic stainless steel filter. When placed in the line just before the pressure gauge, the gauge pointer moves across the scale at a rate which is proportional to the pressure differential across the snubber element.

TYPE NUMBER	GAS OR LIQUID IN PIPE LINE	PRESSURE RANGE	CONNECTION	MATERIAL
BW 42	Water-Light Oil	1,500 psi	1/4 NPT	Brass